

Class	Fig. No.
150	1570
300	3070
600	6070

Item	Applicable Specification
Wall Thickness	API 594
Pressure - Temperature Ratings	ASME B16.34
General Valve Design	API 594 & B16.34
End to End Dimensions	API 594
Flange Design	ASME B16.5
Materials	ASTM

PART	COMMON MATERIAL COMBINATIONS				
	1	2	3	4	5
Body	A216 WCB	A216 WCB	A216 WCB	A351 CF8M	A351 CF8M
Body Seat	Stellite Facing	Stellite Facing	Integral	Integral	Stellite Facing
Disc	A216 WCB+ 13% CR FACED	A351 CF8M	A351 CF8M	A351 CF8M	A351 CF8M
Hinge Pin	410 SST	316 SST	316 SST	316 SST	316 SST
Stop Pin	410 SST	316 SST	316 SST	316 SST	316 SST
Pin Holder	Carbon Steel	316 SST	316 SST	316 SST	316 SST
Key	410 SST	316 SST	316 SST	316 SST	316 SST
Washer	410 SST	316 SST	316 SST	316 SST	316 SST
Set Screw*	Carbon Steel	316 SST	316 SST	316 SST	316 SST
Lock Nut**	Carbon Steel	316 SST	316 SST	316 SST	316 SST
Spring	Inconel X-750	Inconel X-750	Inconel X-750	Inconel X-750	Inconel X-750
Eyebolt	Carbon Steel	Carbon Steel	Carbon Steel	Carbon Steel (Zn plate)	Carbon Steel (Zn plate)

(NOTE) Other materials and trims available.

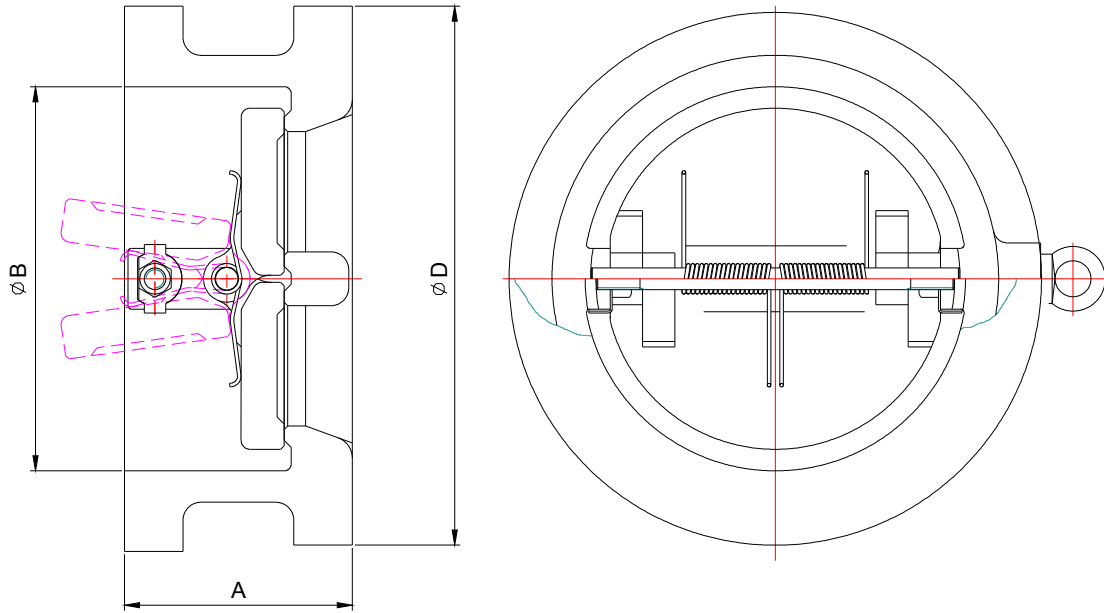
*Sizes 2"-6" only

**Sizes 8" and above only

DESIGN FEATURES:

- **Retainerless body Design** with no external body penetrations eliminating the possibility of outside leakage. Disc assembly secured in place by high strength key.
- **End Gasket Surfaces** are uninterrupted with no screws or lock pins breaking the gasket surface. No gasket restrictions required.
- **Seat faces** lapped for smooth finish and superior sealing
- **High torsion** inconel springs for quick closing
- **Each** valve is shell and seat pressure tested per industry standard API 598
- **Available** in Wafer, Lug and Double Flange styles
- **Each** valve has a unique certification number that is traceable to the valve certification sheet which includes MTR data, pressure test report, inspection report and certificate of
- **Other** available options as follows:
 - Alternate valve materials such as chrome and stainless steel alloys
 - Alternate trim materials.
 - Higher Pressure Classes
 - NACE service.
 - Special cleaning for applications such as oxygen or chlorine.
 - Other options available as specified.

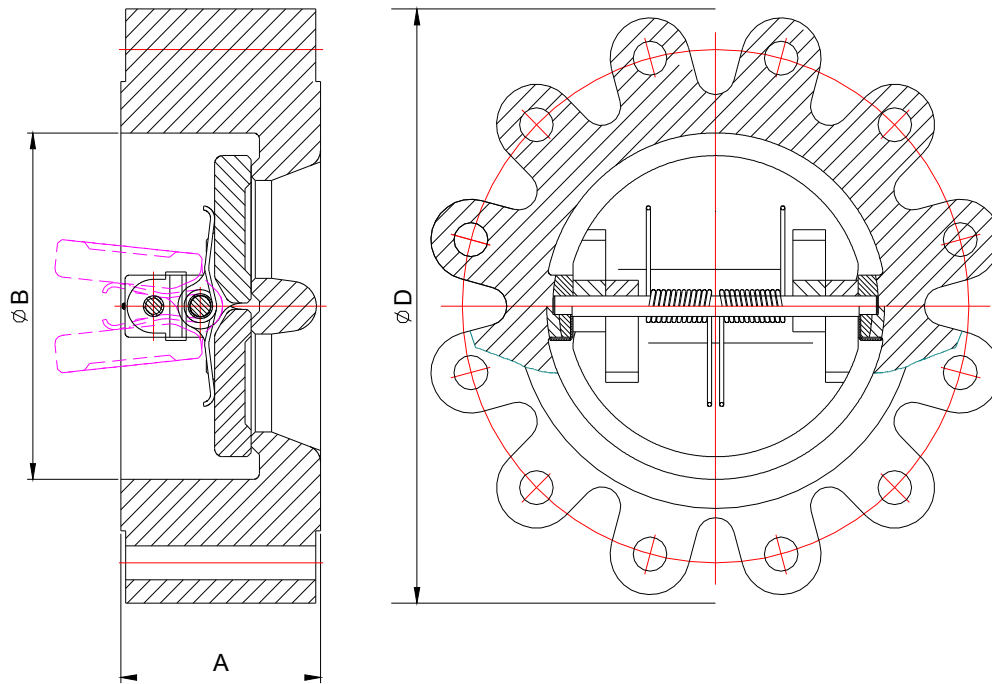
DUAL PLATE CHECK VALVE (WAFFER STYLE) DIMENSIONS (CLASS 150—600).



SIZE	ASME 150					ASME 300					ASME 600				
in	A	B	D	WT	lb	A	B	D	WT	lb	A	B	D	WT	lb
mm	A	B	D	WT	KG	A	B	D	WT	KG	A	B	D	WT	KG
2	2 3/8	2 11/16	4	4.5	2 3/8	2 11/16	4 5/16	5.5	2 3/8	2 11/16	4 5/16	5.5			
25	60	68	103	2	60	68	110	2.5	60	68	110	2.5			
3	2 7/8	3 7/16	5 5/16	8.5	2 7/8	3 7/16	5 13/16	10.8	2 7/8	3 7/16	5 13/16	11.3			
80	73	88	135	3.9	73	88	148	4.9	73	88	148	5.1			
4	2 7/8	4 9/16	6 13/16	14.8	2 7/8	4 9/16	7 1/16	17.5	3 1/8	4 9/16	7 9/16	22			
100	73	116	173	6.7	73	116	180	8	79	116	192	10			
6	3 7/8	6 5/8	8 3/4	28	3 7/8	6 5/8	9 13/16	40	5 3/8	6 5/8	10 3/8	57			
150	98	168	221	12.7	98	168	249	18	136	168	264	26			
8	5	8 7/16	11	55	5	8 7/16	12 1/16	71	6 1/2	8 7/16	12 9/16	106			
200	127	214	278	25	127	214	306	32	165	214	319	48			
10	5 3/4	10 3/8	12 3/4	90	5 3/4	10 3/8	14 3/16	109	8 3/8	10 3/8	15 11/16	202			
250	146	264	324	41	146	264	360	50	213	264	398	92			
12	7 1/8	12 1/8	16	150	7 1/8	12 1/8	16 9/16	177	9	12 1/4	17 15/16	284			
300	181	308	408	68	181	308	420	81	229	311	456	129			
14	7 1/4	13 9/16	17 5/8	190	8 3/4	13 9/16	19 1/16	265	10 3/4	13 5/8	19 5/16	380			
350	184	344	448	86	222	344	484	120	273	346	491	172			
16	7 1/2	15 13/16	20 1/4	254	9 1/8	15 13/16	21 3/16	355	12	15 13/16	22 3/16	545			
400	191	402	514	115	232	402	538	161	305	402	564	247			
18	8	17 13/16	21 5/8	315	10 3/8	17 13/16	23 7/16	470	14 1/4	17 7/8	24 1/16	740			
450	203	452	548	143	264	452	595	213	362	454	611	335			
20	8 5/8	19 3/4	23 7/8	400	11 1/2	19 3/4	25 11/16	610	14 1/2	19 15/16	26 13/16	955			
500	219	502	606	182	292	502	652	277	368	506	681	433			
24	8 3/4	23 15/16	28 1/4	590	12 1/2	23 15/16	30 7/16	910	17 1/4	23 11/16	31 1/16	1500			
600	222	608	716	267	318	608	773	412	438	602	789	680			

ADDITIONAL SIZES, MATERIALS AND CLASSES AVAILABLE UPON REQUEST.

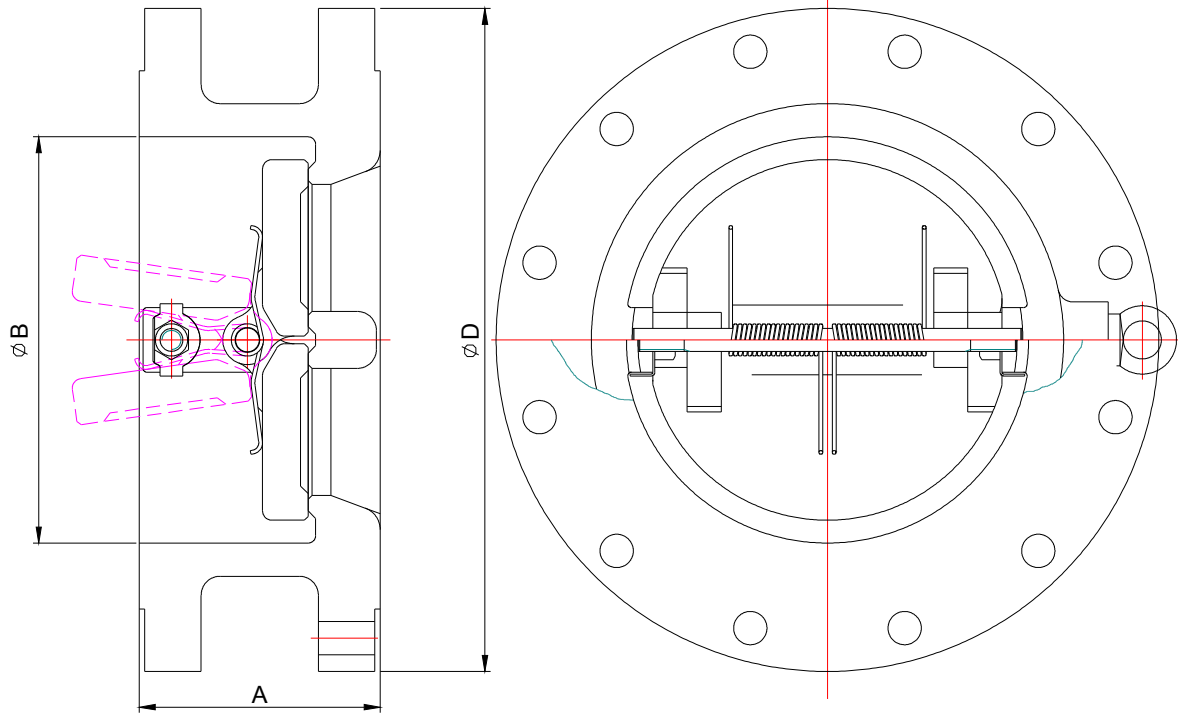
DUAL PLATE CHECK VALVE (LUG STYLE) DIMENSIONS (CLASS 150—600).



SIZE	ASME 150					ASME 300					ASME 600				
	A	B	D	WT	lb KG	A	B	D	WT	lb KG	A	B	D	WT	lb KG
2	2 3/8	2 11/16	6	7.5		2 3/8	2 11/16	6 1/2	17		2 3/8	2 11/16	6 1/2	17	
25	60	68	150	3.4		60	68	165	7.7		60	68	165	7.7	
3	2 7/8	3 7/16	7 1/2	15.5		2 7/8	3 7/16	8 1/4	30.75		2 7/8	3 7/16	8 1/4	31.3	
80	73	88	190	7.1		73	88	210	14		73	88	210	14.1	
4	2 7/8	4 9/16	9	30		2 7/8	4 9/16	10	54.5		3 1/8	4 9/16	10 3/4	84	
100	73	116	230	13.5		73	116	255	24.8		79	116	275	38	
6	3 7/8	6 5/8	11	50		3 7/8	6 5/8	12 1/2	99		5 3/8	6 5/8	14	160	
150	98	168	280	23		98	168	320	45		136	168	355	73	
8	5	8 7/16	13 1/2	128		5	8 7/16	15	146		6 1/2	8 7/16	16 1/2	302	
200	127	214	345	58		127	214	380	66		165	214	420	137	
10	5 3/4	10 3/8	16	208		5 3/4	10 3/8	17 1/2	232		8 3/8	10 3/8	20	507	
250	146	264	405	95		146	264	445	106		213	264	510	230	
12	7 1/8	12 1/8	19	280		7 1/8	12 1/8	20 1/2	357		9	12 1/4	22	534	
300	181	308	485	127		181	308	520	163		229	311	560	243	

ADDITIONAL SIZES, MATERIALS AND CLASSES AVAILABLE UPON REQUEST.

DUAL PLATE CHECK VALVE (DOUBLE FLANGE STYLE) DIMENSIONS (CLASS 150—600).



SIZE	ASME 150					ASME 300					ASME 600					
	in	A	B	D	WT	lb	A	B	D	WT	lb	A	B	D	WT	lb
	mm															
12	7 1/8	12 1/8	19	289	7 1/8	12 1/8	20 1/2	343	9	12 1/4	22	540				
300	181	308	485	131	181	308	520	157	229	311	560	245				
14	7 1/4	13 9/16	21	509	8 3/4	13 9/16	23	696	10 3/4	13 5/8	23 3/4	988				
350	184	344	535	231	222	344	585	316	273	346	605	447				
16	7 1/2	15 13/16	23 1/2	641	9 1/8	15 13/16	25 1/2	1030	12	15 13/16	27	1580				
400	191	402	595	290	232	402	650	468	305	402	685	716				
18	8	17 13/16	25	775	10 3/8	17 13/16	28	1320	14 1/4	17 7/8	29 1/4	2070				
450	203	452	635	353	264	452	710	599	362	454	745	938				
20	8 5/8	19 3/4	27 1/2	1000	11 1/2	19 3/4	30 1/2	1688	14 1/2	19 15/16	32	2580				
500	219	502	700	455	292	502	775	767	368	506	813	1170				
24	8 3/4	23 15/16	32	1452	12 1/2	23 15/16	36	2875	17 1/4	23 11/16	37	4500				
600	222	608	815	659	318	608	915	1305	438	602	940	2040				

ADDITIONAL SIZES, MATERIALS AND CLASSES AVAILABLE UPON REQUEST.