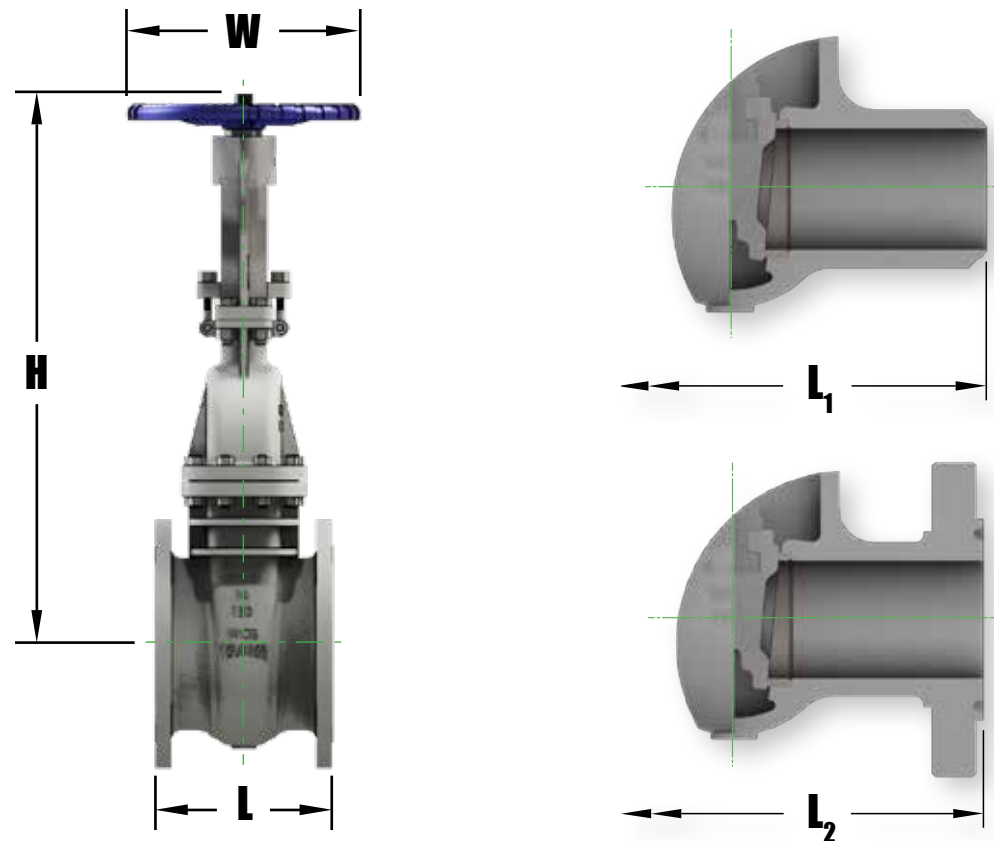


GATE VALVE

CLASS 150



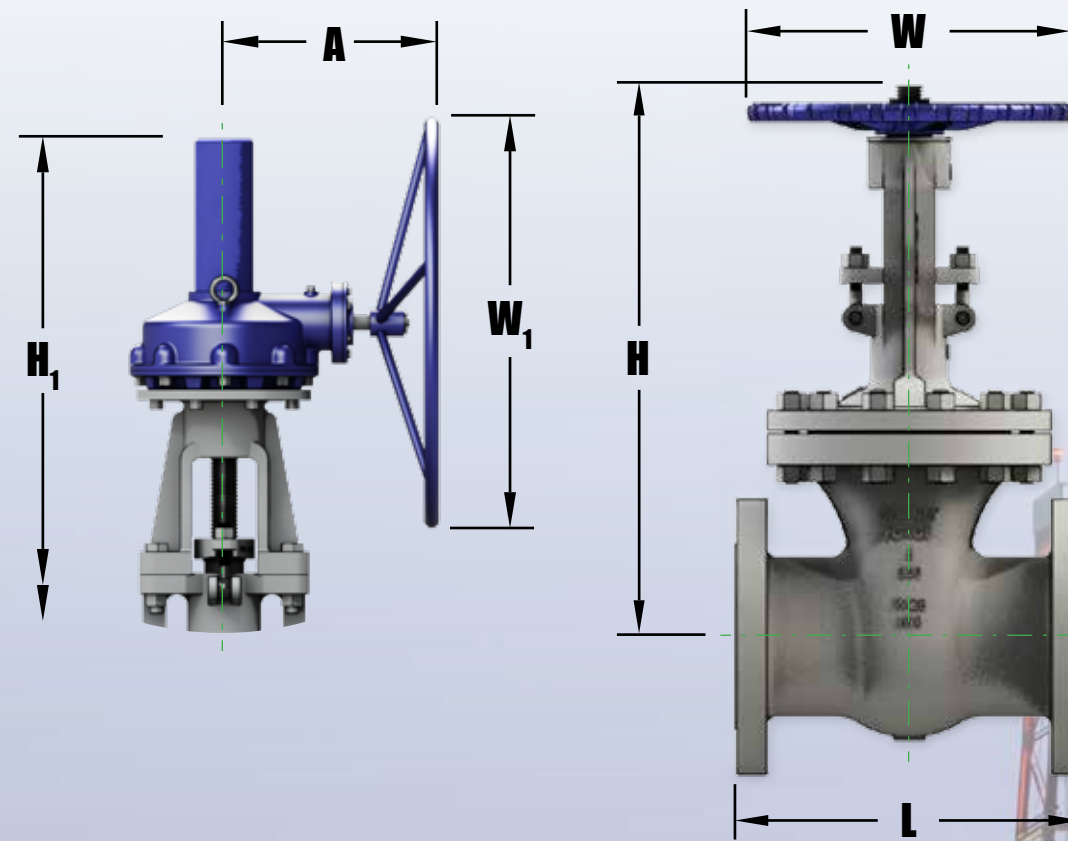
Valve Size	Dimensions (inches)								Weight (lbs.)			
	L	L ₁	L ₂	W	W ₁	H _{open}	H ₁	A	(RF)	(BW)	(RF+GO)	(BW+GO)
NPS 2	7	8 ½	7 ½	8	-	16 15/16	-	-	40	39 ½	-	-
NPS 3	8	11 ½	8 ½	10	-	20 ½	-	-	80	66	-	-
NPS 4	9	12	9 ½	10	-	23 ¾	-	-	117	97	-	-
NPS 6	10 ½	15 ¾	11	12	-	29 15/16	-	-	185	168	-	-
NPS 8	11 ½	16 ½	12	14	12	39 3/16	42 ½	8 1/4	306	278	355	326
NPS 10	13	18	13 ½	16	12	45 ¾	50 ¾	8 1/4	443	395	518	439
NPS 12	14	19 ¾	14 ½	20	12	53 ¼	59 7/16	8 1/4	597	668	750	712
NPS 14	15	22 ½	15 ½	20	12	60 7/16	63 ½	14 3/16	948	878	992	922
NPS 16	16	24	16 ½	24	12	71 5/16	70 7/8	14 3/16	1,208	1,122	1,252	1,166
NPS 18	17	26	17 ½	25	18 ½	79 3/16	79 ¼	14 3/16	1,640	1,565	1,640	1,632
NPS 20	18	28	18 ½	26	18 ½	87 13/16	85 13/16	16 3/16	2,463	2,374	2,529	2,441
NPS 24	20	32	20 ½	30	24	104	100 13/16	16 3/16	3,232	3,144	3,298	3,210
NPS 30	26	36	26 ½	IFV	IFV	IFV	IFV	IFV	IFV	IFV	IFV	IFV
NPS 36	32	40	32 ½	IFV	IFV	IFV	IFV	IFV	IFV	IFV	IFV	IFV

TECHNICAL	Valve Size	C _v	Torque			
			Body / Bonnet		Gland Nut	
			(ft.-lbs.)	(N-m)	(ft.-lbs.)	(N-m)
NPS 2	309	60	81	20	27	
NPS 3	705	60	81	22	30	
NPS 4	1307	60	81	25	34	
NPS 6	3090	60	81	44	60	
NPS 8	5706	115	156	47	64	
NPS 10	8936	115	156	50	68	
NPS 12	13351	200	271	67	91	
NPS 14	16277	200	271	90	122	
NPS 16	21534	320	434	92	125	
NPS 18	28682	490	664	109	148	
NPS 20	35759	490	664	143	199	
NPS 24	52255	725	983	185	251	
NPS 30	IFV	IFV	IFV	IFV	IFV	
NPS 36	IFV	IFV	IFV	IFV	IFV	

- ▶ Torque values shown are for WCB valve material only.
- ▶ For WCB NACE or LCC material, multiply torque value by 0.75
- ▶ For CF8M material, multiply torque value by 0.30
- ▶ For all other body/bonnet material, please contact Bonney Forge
- ▶ For values labeled as "IFV" please contact Bonney Forge

CLASS 300

GATE VALVE



Valve Size	Dimensions (inches)								Weight (lbs.)			
	L	L ₁	L ₂	W	W ₁	H _{open}	H ₁	A	(RF)	(BW)	(RF+GO)	(BW+GO)
NPS 2	8 ½	8 ½	9 ½	7 ¾	-	16 15/16	-	-	62	48 ½	-	-
NPS 3	11 ½	11 ½	11 ¾	9 ¾	-	21 7/8	-	-	112	88	-	-
NPS 4	12	12	12 5/8	9 ¾	-	24 7/16	-	-	172	132 ¼	-	-
NPS 6	15 ¾	15 ¾	16 ¼	13 ¾	12	31 11/16	32 7/8	8 1/4	317	249	366	297 ½
NPS 8	16 ½	16 ½	17 ½	15 ¾	12	39 9/16	40 ¾	8 1/4	480	403 ½	551	452
NPS 10	18	18	18 5/8	17 11/16	12	48 7/16	50 3/16	8 1/4	705 ½	600	761	630 ½
NPS 12	19 ¾	19 ¾	20 3/8	19 11/16	18 ½	57 11/16	57 7/8	10 ½	990	789	1,063	860
NPS 14	30	30	30 5/8	25 3/16	18 ½	62	64 3/16	14 3/16	1,530	1,270	1,889	1,629
NPS 16	33	33	33 5/8	25 3/16	18 ½	69 3/16	71 7/16	14 3/16	2,381	2,061	2,584	2,264
NPS 18	36	36	32 5/8	26 ¾	21 ¼	77 11/16	79 3/16	14 3/16	2,723	2,324	3,270	2,870
NPS 20	39	39	39 ¾	29 15/16	21 ¼	85 5/16	87 7/8	16 3/16	3,649	3,159	4,081	3,591
NPS 24	45	45	45 7/8	35 7/16	24	111 11/16	105	16 3/16	5,115	4,330	5,807	5,022
NPS 30	55	55	IFV	IFV	IFV	IFV	IFV	IFV	IFV	IFV	IFV	IFV
NPS 36	68	68	IFV	IFV	IFV	IFV	IFV	IFV	IFV	IFV	IFV	IFV

TECHNICAL	Valve Size	C _v	Torque			
			Body / Bonnet		Gland Nut	
			(ft.-lbs.)	(N-m)	(ft.-lbs.)	(N-m)
NPS 2	309	60	81	20	27	
NPS 3	705	115	156	22	30	
NPS 4	1307	115	156	25	34	
NPS 6	3090	200	271	49	66	
NPS 8	5706	320	434	50	68	
NPS 10	8936	200	271	67	91	
NPS 12	13351	320	434	90	122	
NPS 14	16277	320	434	92	125	
NPS 16	21534	490	664	119	161	
NPS 18	27889	725	983	143	194	
NPS 20	34837	725	983	154	209	
NPS 24	51049	1,800	2,440	236	320	
NPS 30	IFV	IFV	IFV	IFV	IFV	
NPS 36	IFV	IFV	IFV	IFV	IFV	

